

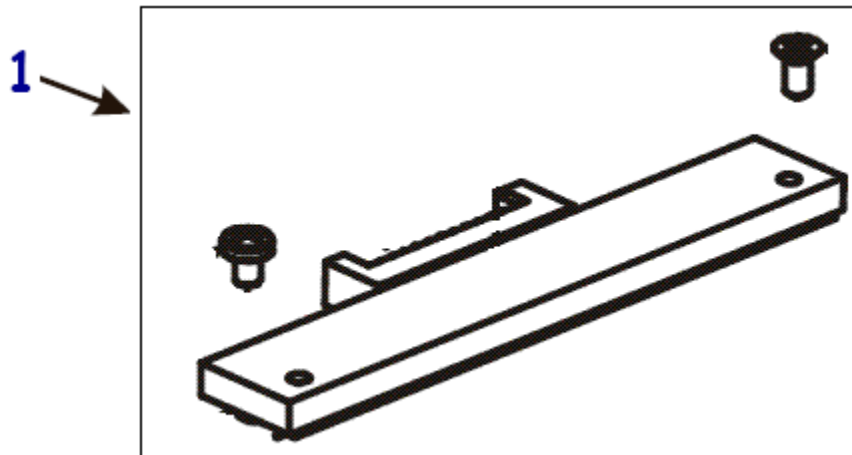


# Zebra® KR403 Kiosk Printer

## Spare Parts Catalog

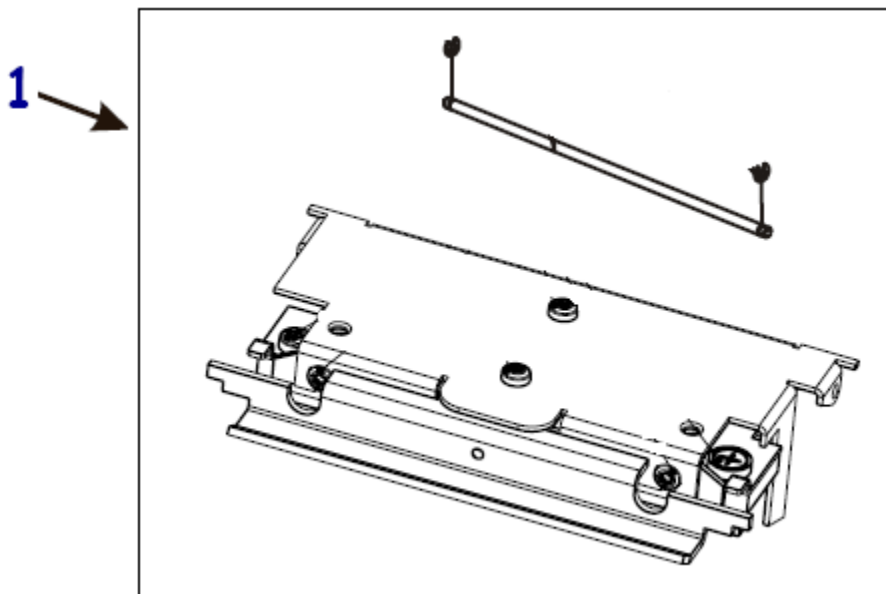
**KR403 Parts Catalog**

**Printhead**



Item Number	Description	Part Number	Kit Quantity
1	Kit Printhead KR403	P1015397	1
Not Shown	Kit Cable for Printhead KR403 (Qty of 3)	P1015399	3

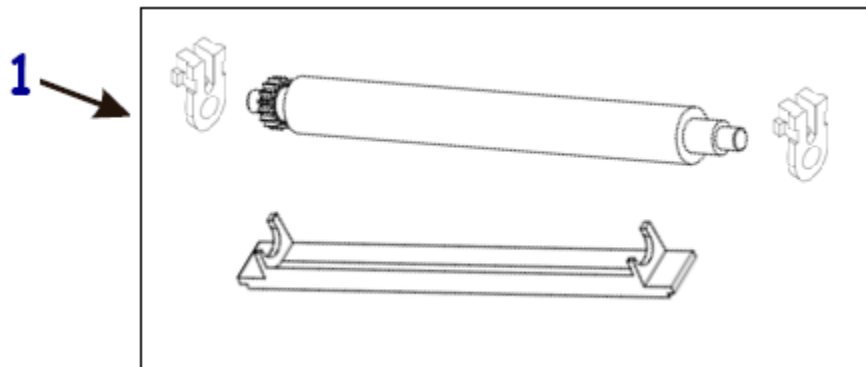
**Cover for Printhead**



Item Number	Description	Part Number	Kit Quantity
1	Kit Printhead Cover Assembly KR403 (includes printhead)	P1015453	1

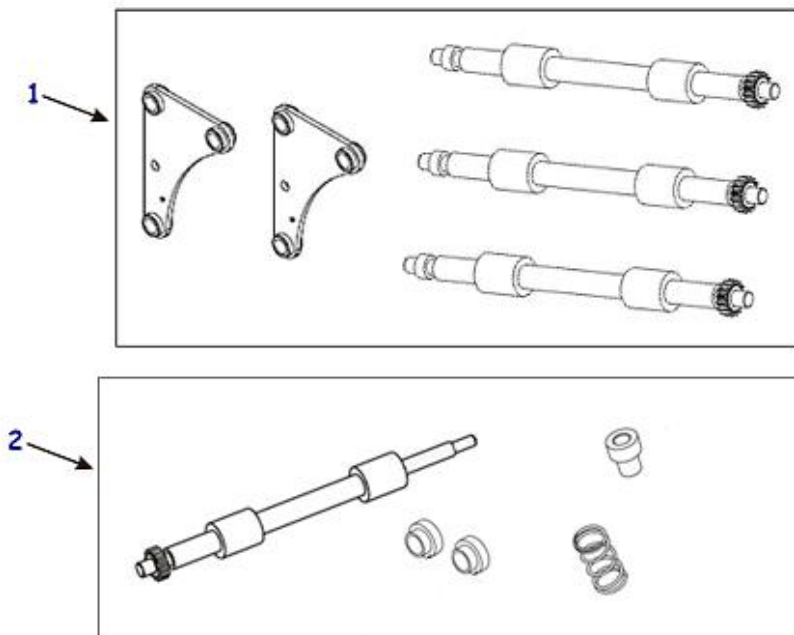
**KR403 Parts Catalog**

**Platen Roller**



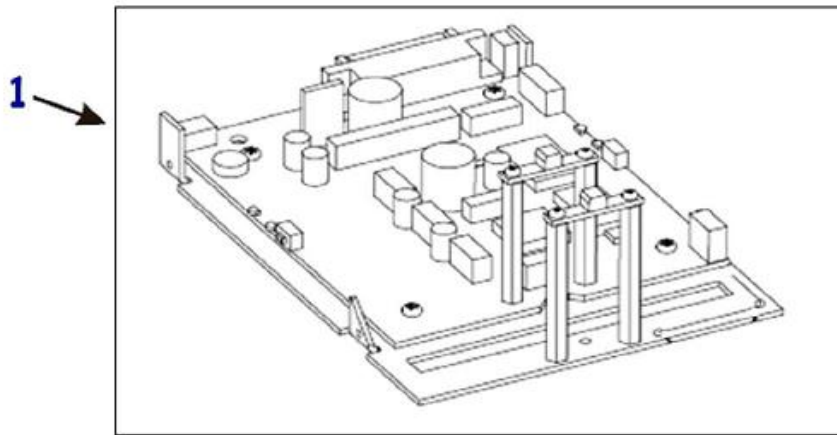
Item Number	Description	Part Number	Kit Quantity
1	Kit Platen Roller KR403 (Qty of 3)	P1015402	3

**Feed Rollers**



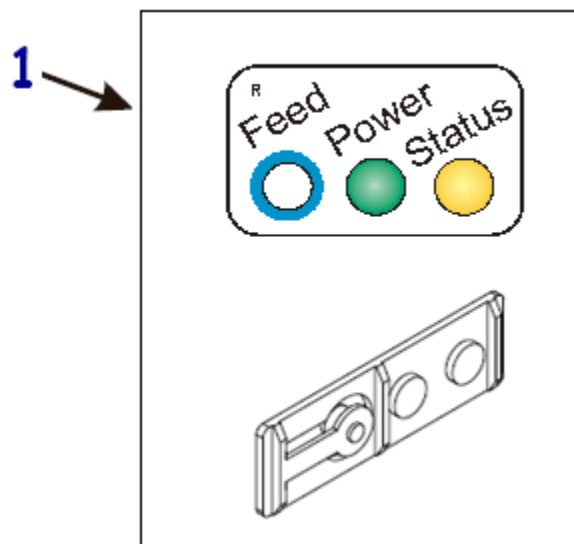
Item Number	Description	Part Number	Kit Quantity
1	Kit Feed Rollers KR403 (Qty of 3)	P1015409	3
2	Kit Feed Roller with Clutch KR403 & TTP2000	P1043693	1

**Main Logic Board**



Item Number	Description	Part Number	Kit Quantity
1	Kit Main Logic Board 4MB Serial & USB KR403	P1015416	1
1	Kit Main Logic Board 64MB Serial & USB KR403	P1015418	1
1	Kit Main Logic Board 4MB Ethernet KR403	P1029653	1
1	Kit Main Logic Board 64MB Ethernet KR403	P1029654	1

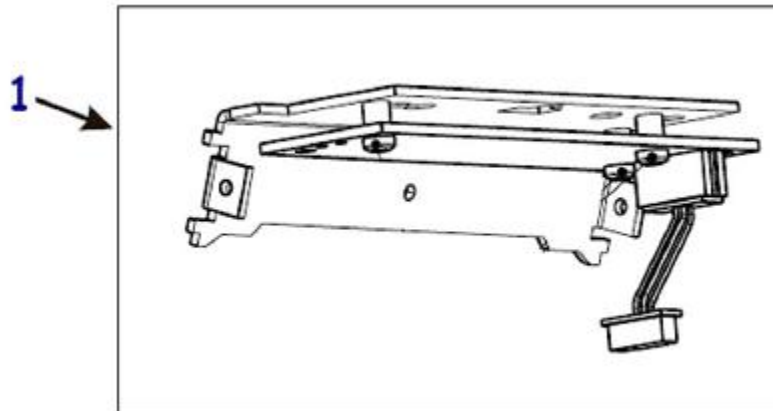
**Control Panels**



Item Number	Description	Part Number	Kit Quantity
1	Kit Control Panels KR403 & TTP2000 (Left & Right Side included)	P1014144	3

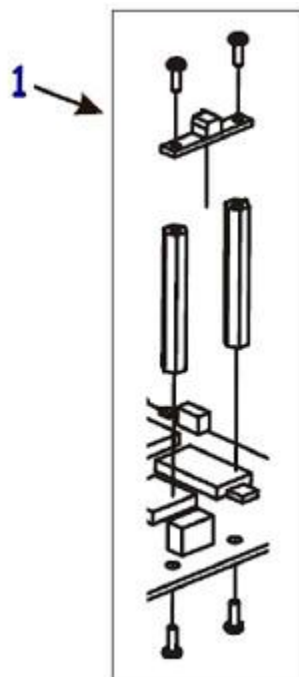
**KR403 Parts Catalog**

**Media Sensor**



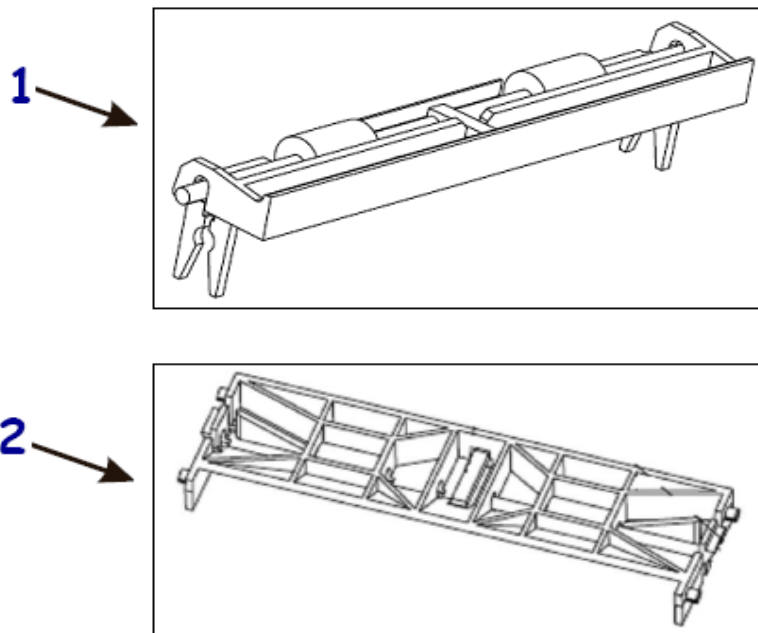
Item Number	Description	Part Number	Kit Quantity
1	Kit Media Sensor Board KR403	P1029655	1

**Presenter and Retract Sensors**



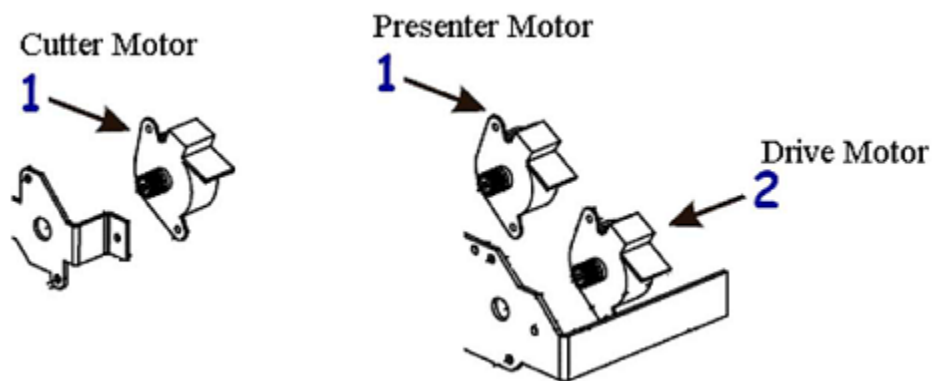
Item Number	Description	Part Number	Kit Quantity
1	Kit Presenter & Retract Media Sensors KR403 (Qty of 2)	P1015429	2

**Presenter and Exit Roller Guide Assemblies**



Item Number	Description	Part Number	Kit Quantity
1	Kit Exit Guide Assembly KR403 & TTP2000	P1046568	1
2	Kit Entry Guide Assembly KR403 & TTP2000	P1046569	1

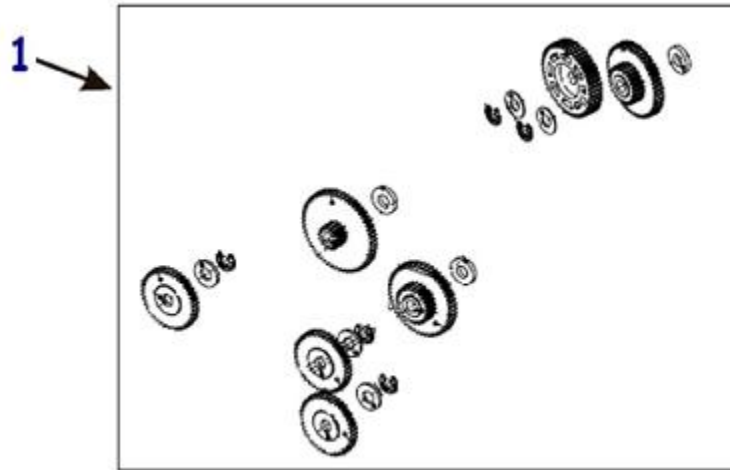
**Drive Motors**



Item Number	Description	Part Number	Kit Quantity
1	Kit Cutter and Presenter Motor KR403 (The same type of motor drives the cutter and presenter)	P1019863	2
2	Kit Drive Motor KR403 (The drive motor is different from the cutter/presenter motor)	P1019866	2

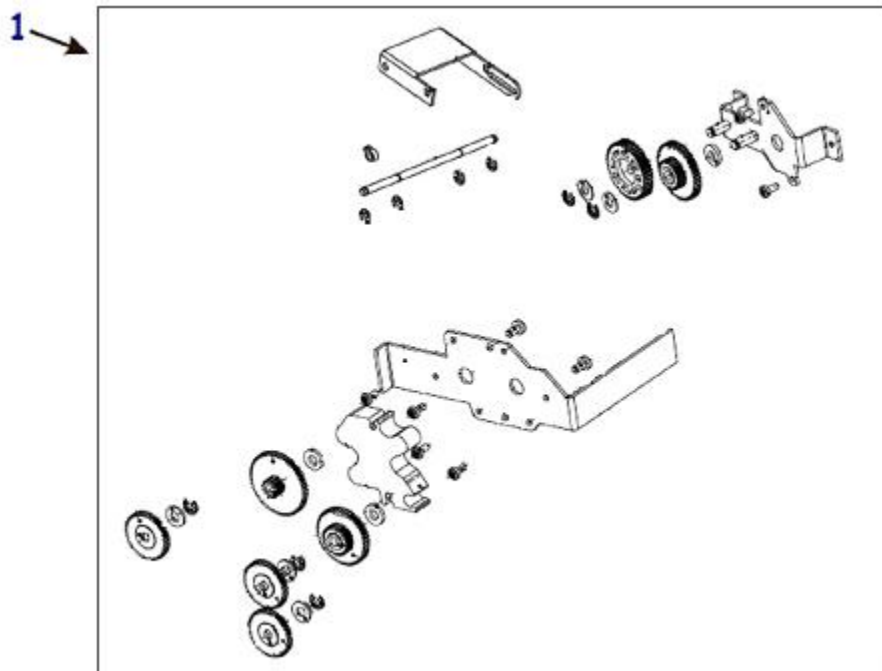
**KR403 Parts Catalog**

**Drive Gears**



Item Number	Description	Part Number	Kit Quantity
1	Kit Drive Gears for Drive System KR403 & TTP2000	P1014137	1

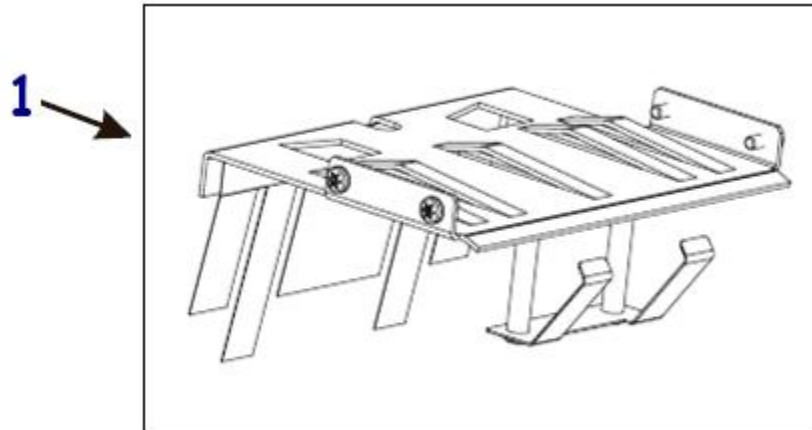
**Drive System**



Item Number	Description	Part Number	Kit Quantity
1	Kit Drive System KR403	P1019867	1

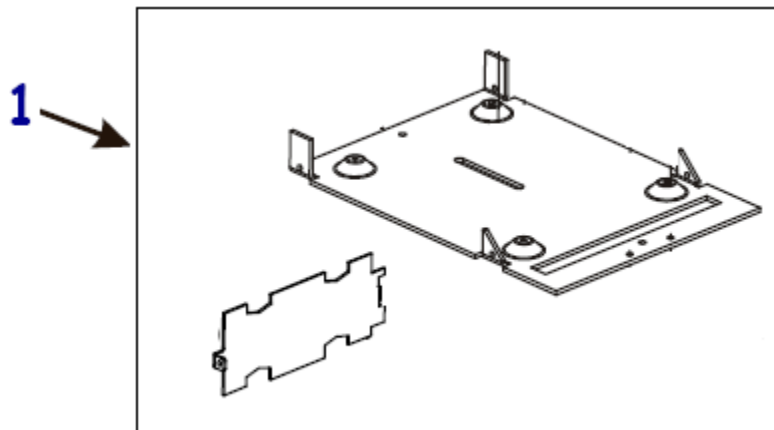
**KR403 Parts Catalog**

**Cover Plate**



Item Number	Description	Part Number	Kit Quantity
1	Kit Cover Plate Assembly KR403 & TTP2000	P1014138	1

**Bottom Plate**

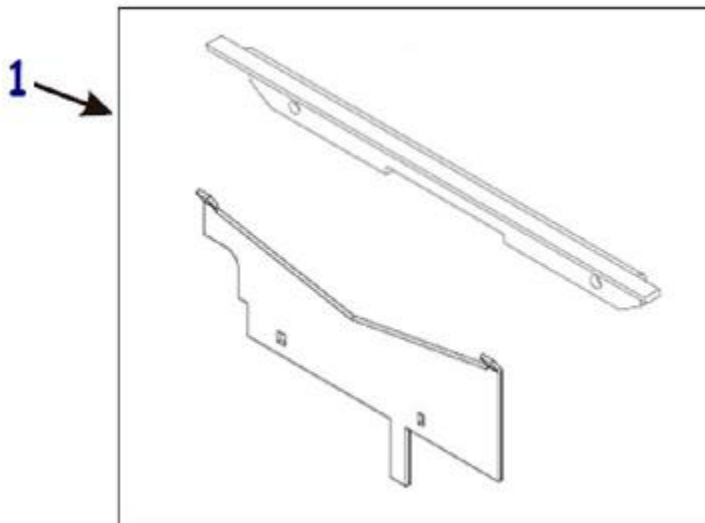


Item Number	Description	Part Number	Kit Quantity
1	Kit Bottom Plate and Divider Plate for Serial & USB KR403	P1015434	1
1	Kit Bottom Plate and Divider Plate for Ethernet KR403	P1029656	1



**KR403 Parts Catalog**

**Cutter Blades**



Item Number	Description	Part Number	Kit Quantity
1	Kit Cutter Blades KR403 & TTP2000	P1014133	1

**Miscellaneous Items**

Item Number	Description	Part Number	Kit Quantity
Not Shown	Kit Packing Materials KR403 & TTP2000 (for shipping printer)	P1014148	1
Not Shown	Kit Springs for Printhead Release Latch KR403 & TTP2000 (Qty of 10)	P1014146	10
Not Shown	Kit Screws M2.5x6 (Qty of 30) KR403 & TTP2000	P1014147	30