

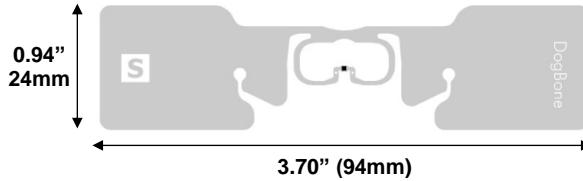


**ZEBRA**

# Smartrac DogBone UCODE 8 Inlay

## DETAILS

- Advanced Inlay
- Optimized to be read from nearly any angle
- Performs well when placed on or near challenging materials (i.e. pallets, freight)
- Pre-tested with Zebra printers and readers
- Applications: Case / Pallet, Freight, Assets



## SUGGESTED APPLICATIONS

- Case/pallet labeling



- Transportation & Logistics



- Warehouse labeling



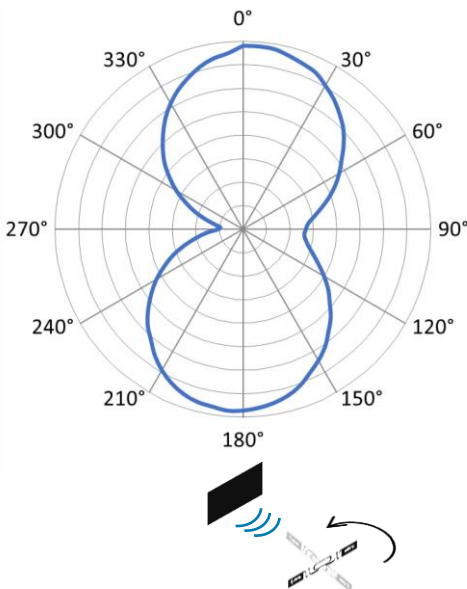
## TECHNICAL INFORMATION

- Chip: NXP UCODE 8
  - Extreme high sensitivity chip with read ranges of up to 20m
  - EPC memory: 128 bit
  - User memory: N/A
  - TID: 96 bit factory locked (48 bit unique)
  - Read Sensitivity: -23dBm
  - Write Sensitivity: -18dBm
  - UHF RFID, EPC Gen2v2, ISO 18000-63, RAIN RFID
- Extreme high sensitivity: read range up to 19m in free space

## THEORETICAL \*\* READ RANGES ON VARIOUS SURFACES (m)

Material	ETSI (865-868 MHz)	FCC (902-928 MHz)
Air	19	16
Cardboard	14	12
Fiberglass	11	12
Glass	13	15
PTFE	14	12
Polyacetyl	12	11
PVC	12	12
Rubber	11	12

## RADIATION PATTERN\*



\* Read range drops to 20% of maximum when inlay is perpendicular (90° and 270°) to the reading antenna.

\*\*Theoretical read range data is meant to be directional. Actual performance will depend on your application and environment. Testing is recommended.

All inlays certified by Zebra have been pre-tested with Zebra printers and readers.

For more information, visit [www.zebra.com/supplies](http://www.zebra.com/supplies)

**Product Performance and Suitability:** The information contained in this document is to be used for guidance only and is not intended for use in setting specifications. All purchasers of Zebra products shall be solely responsible for independently determining if the product conforms to all requirements of their unique application.

NA and Corporate Headquarters | +1 800 423 0442 | inquiry4@zebra.com

©2016 ZIH Corp and/or its affiliates. All rights reserved. ZEBRA and the stylized Zebra head are trademarks of ZIH Corp, registered in many jurisdictions worldwide. All other trademarks are the property of their respective owners. Nov 2019